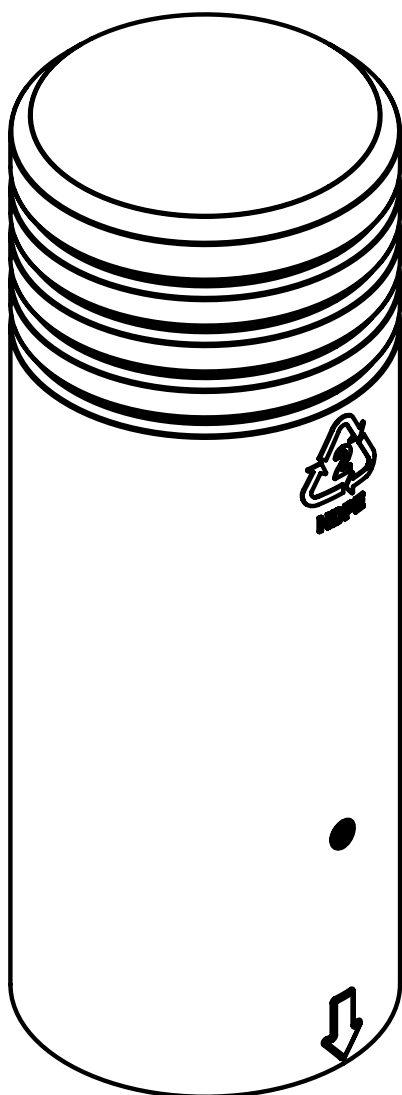


Deflector Post Assembly instructions

M011-050-018 (182x500mm)



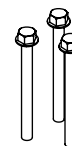
Components



Shell
DP-C-SHL-307



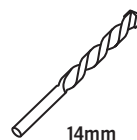
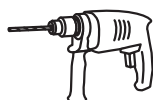
Core, Damper,
Washer
DP-K-COR-401



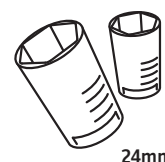
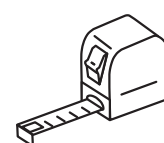
16mm x 200mm
Concrete Screws

*Some components included within "M" bundles.

Tools required



14mm

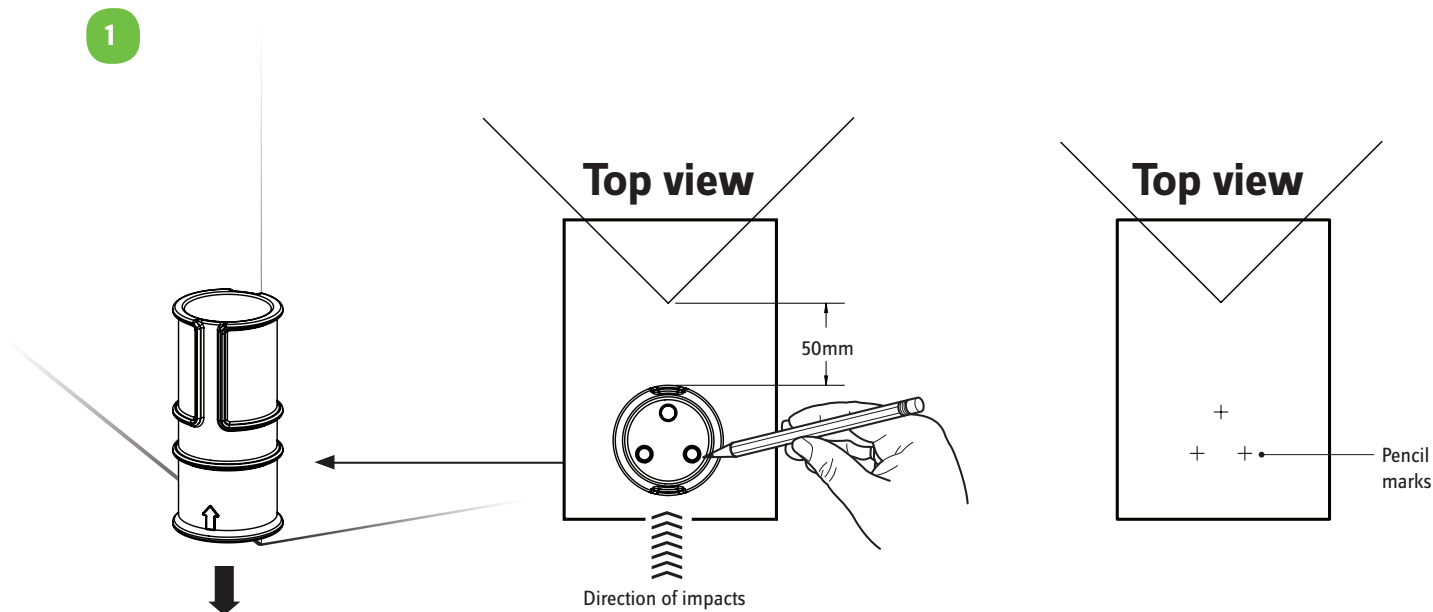


24mm

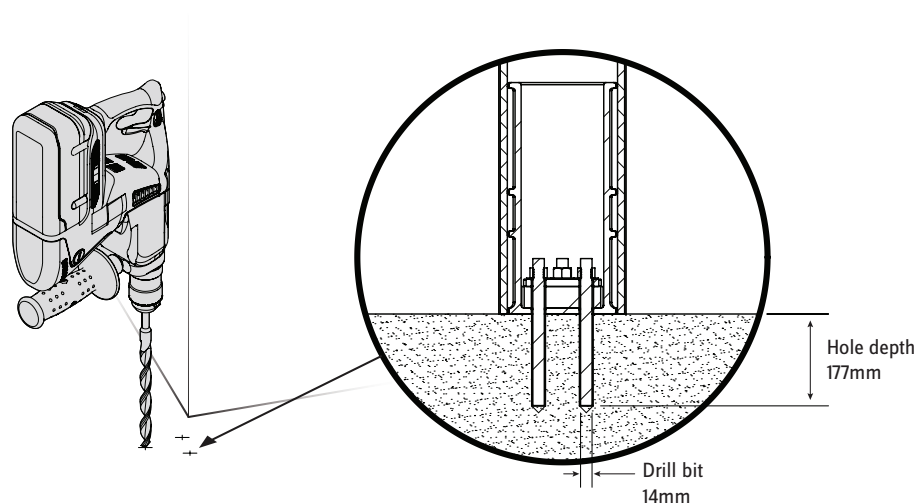


Deflector Post Assembly instructions

1

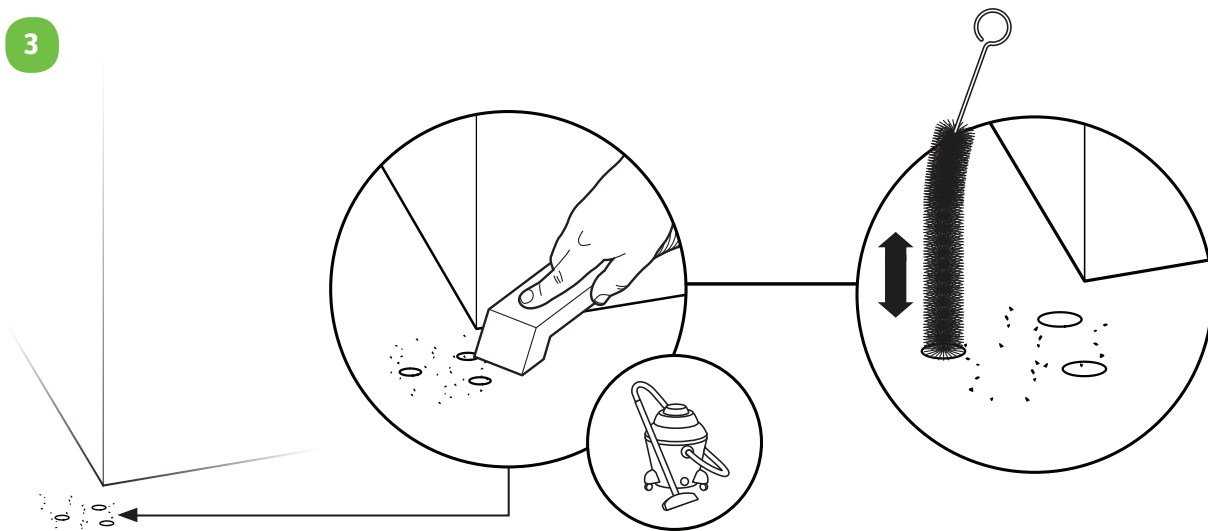


2

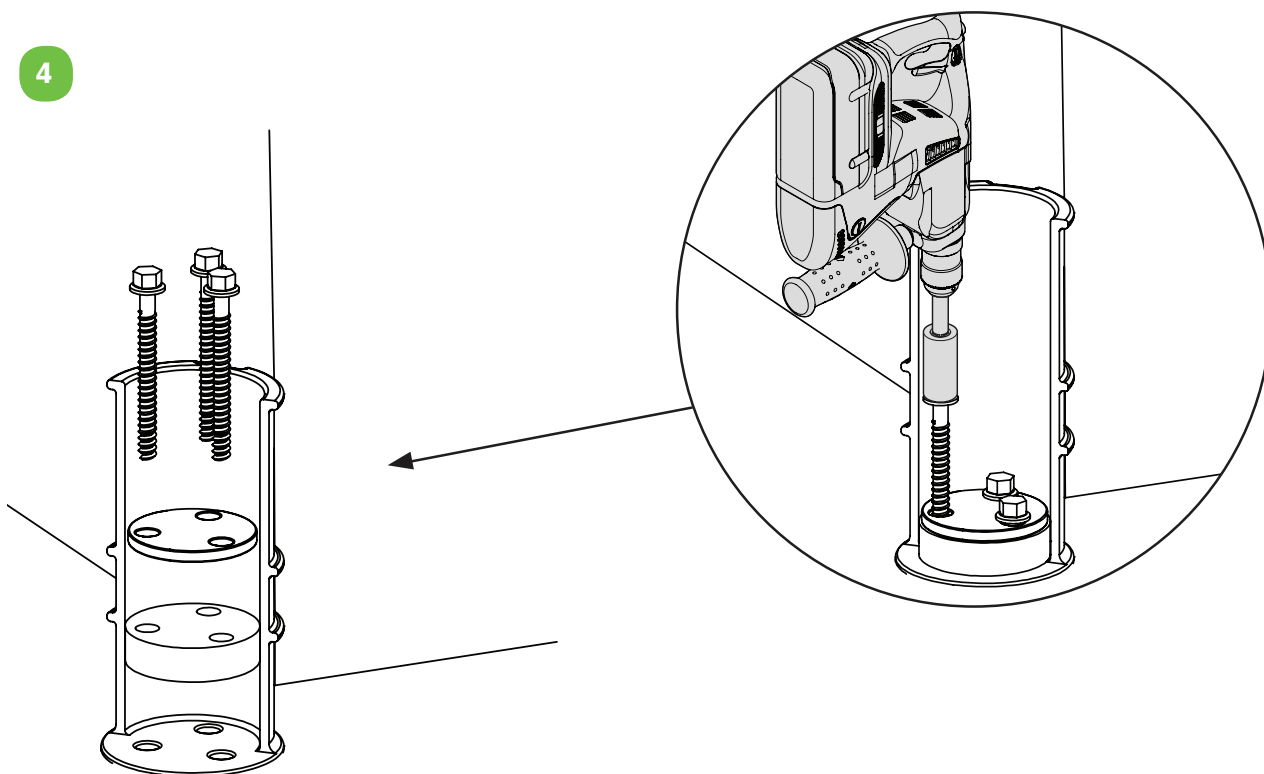


Deflector Post Assembly instructions

3

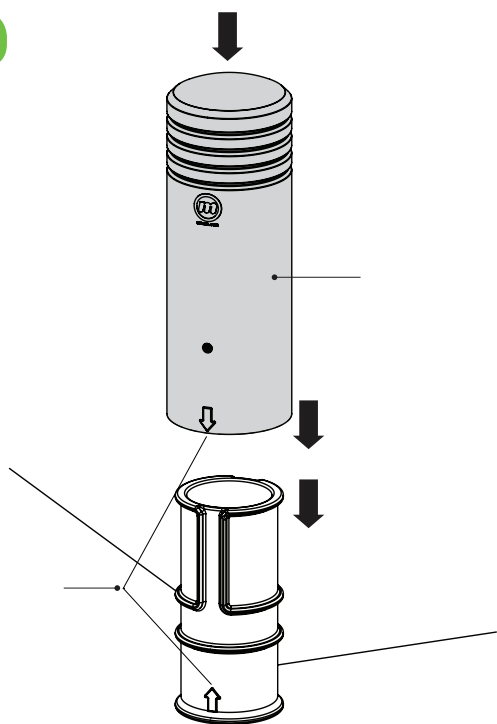


4



Deflector Post Assembly instructions

5



6

