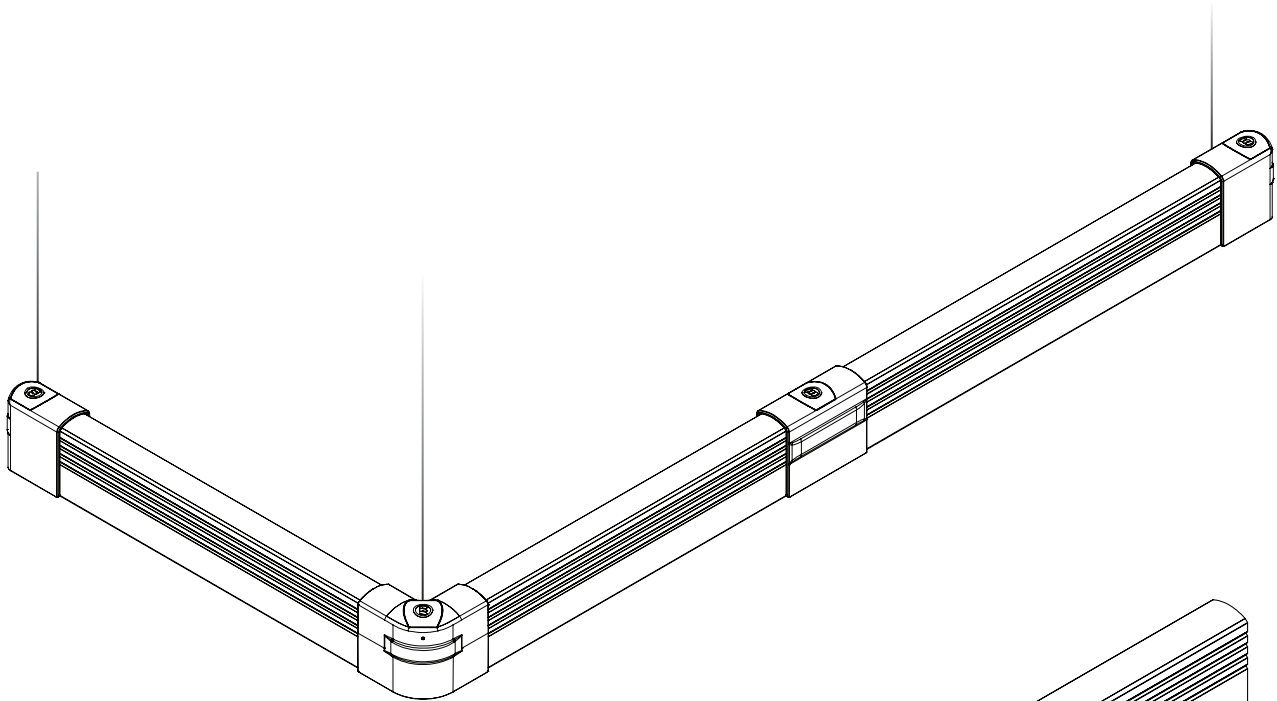
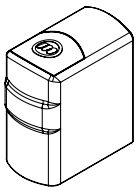


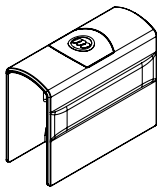
# Crash Barrier Assembly instructions



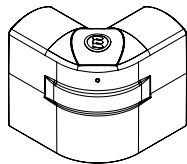
## Components (varies by installation)



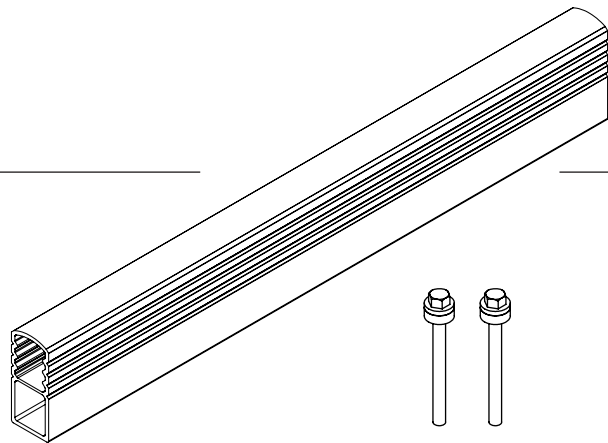
Crash Rail End  
M046-000-000E



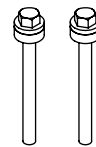
Crash Rail Mid  
M046-000-000M



Crash Rail Corner  
M046-000-000C



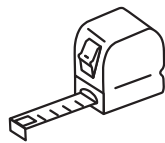
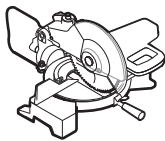
Barrier  
M021-023-230  
M021-023-300



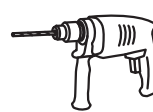
18mm x 150mm  
concrete screws  
Shock-Absorbing  
Anchor Kit

\*Some components included within "M" bundles.

## Tools required



16mm

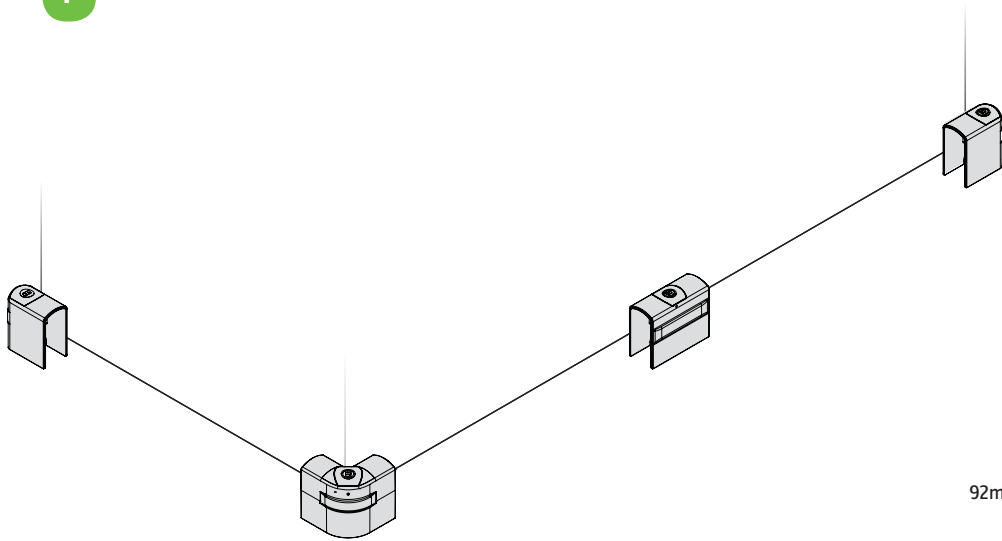


27mm

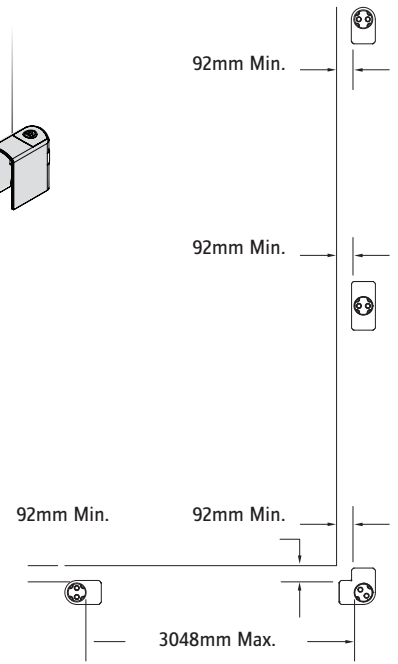


# Crash Barrier Assembly instructions

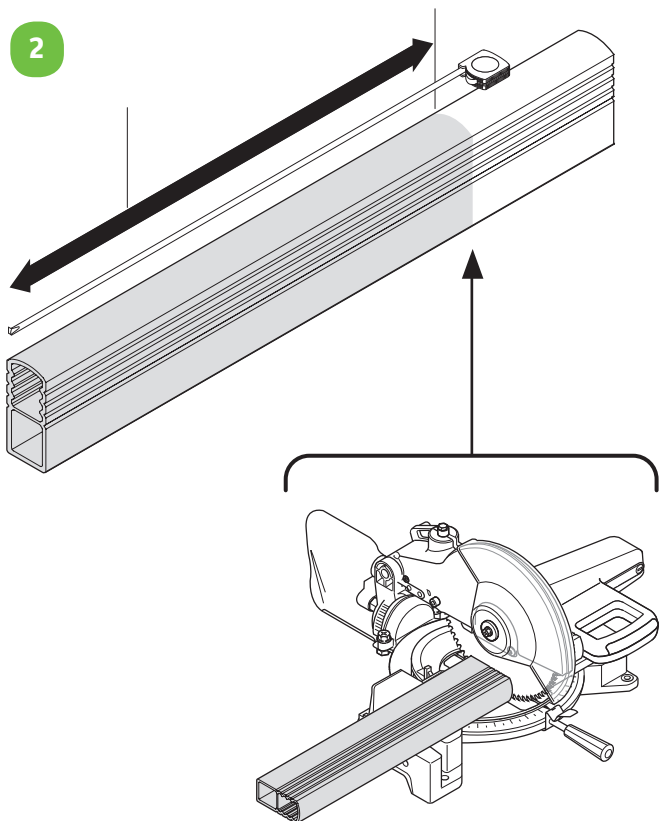
1



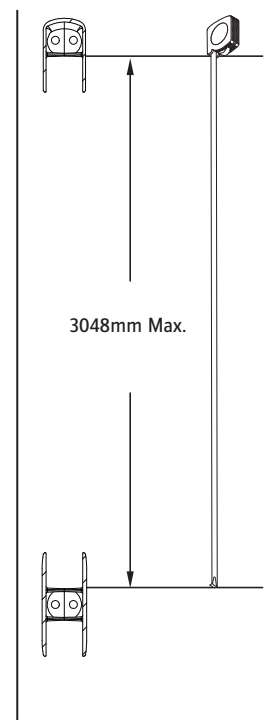
Top view



2

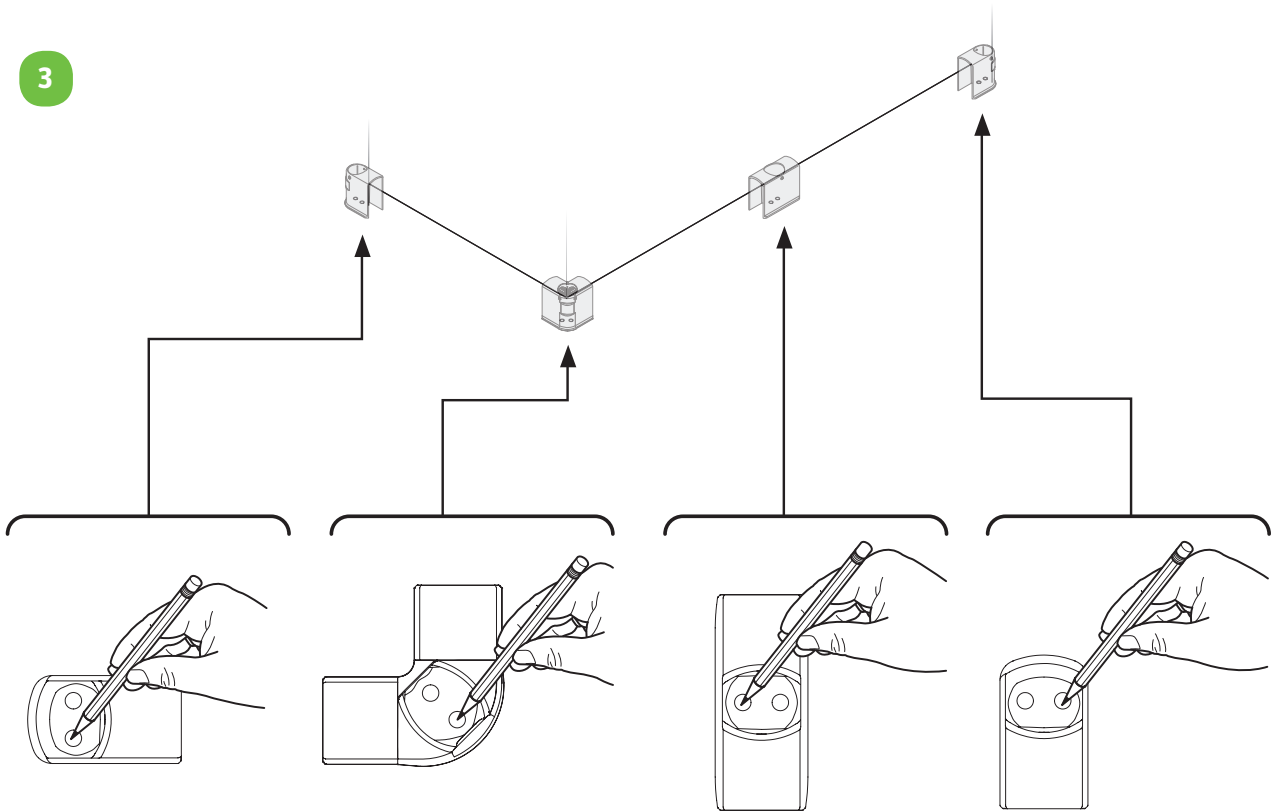


Top view

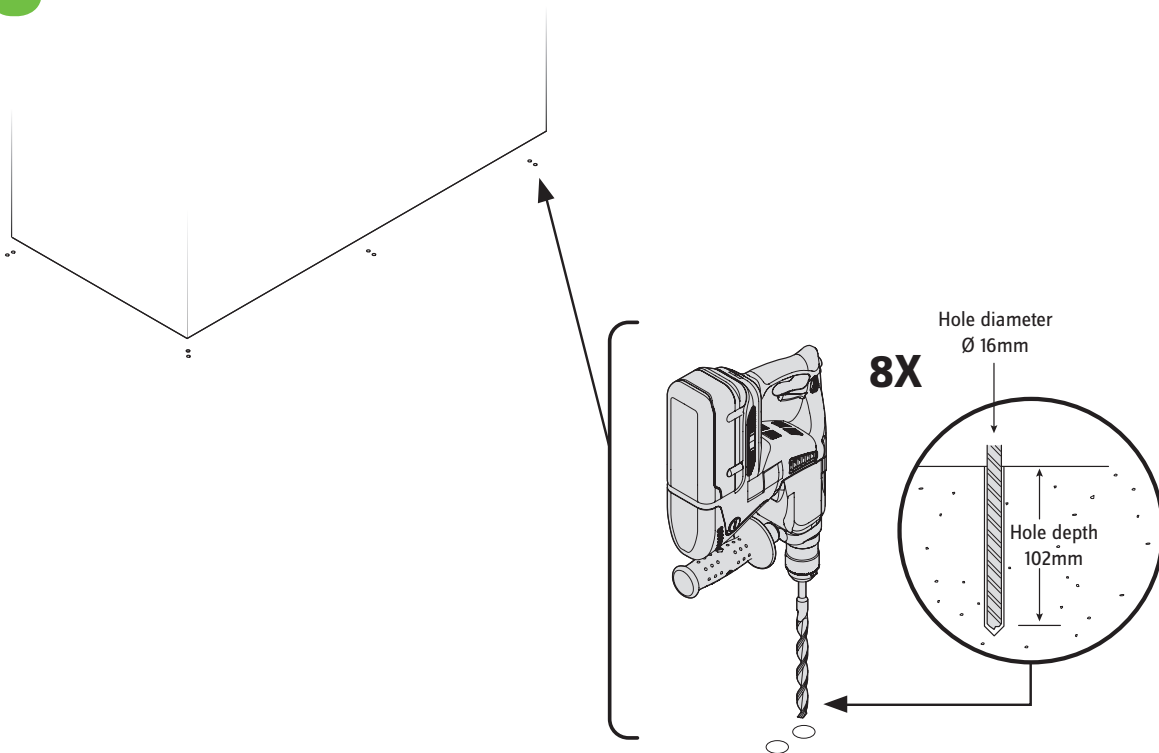


# Crash Barrier Assembly instructions

3

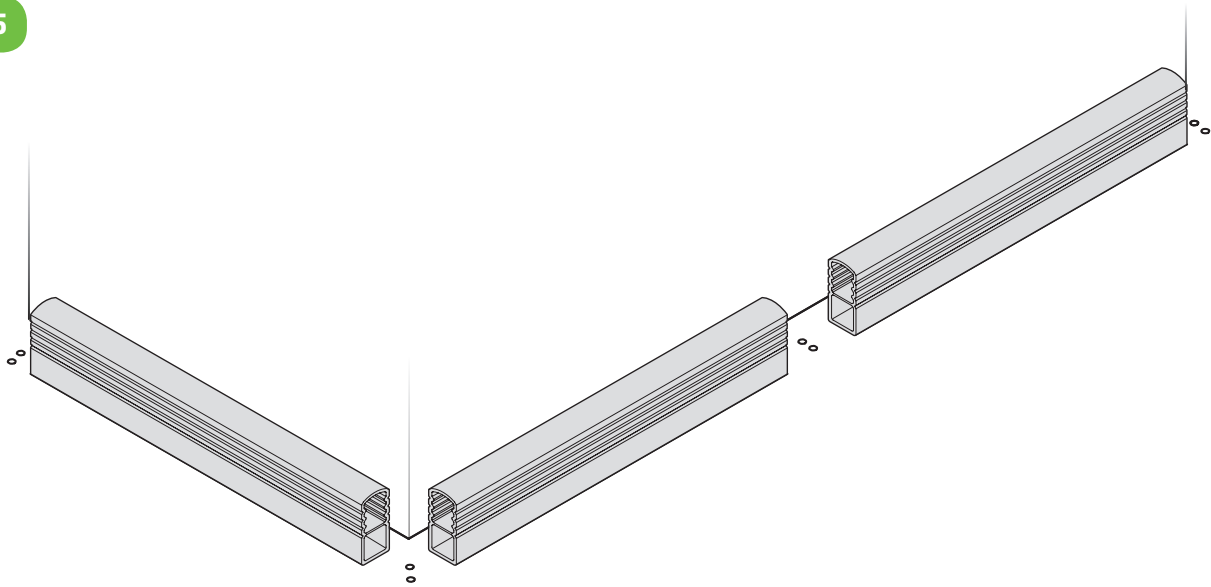


4

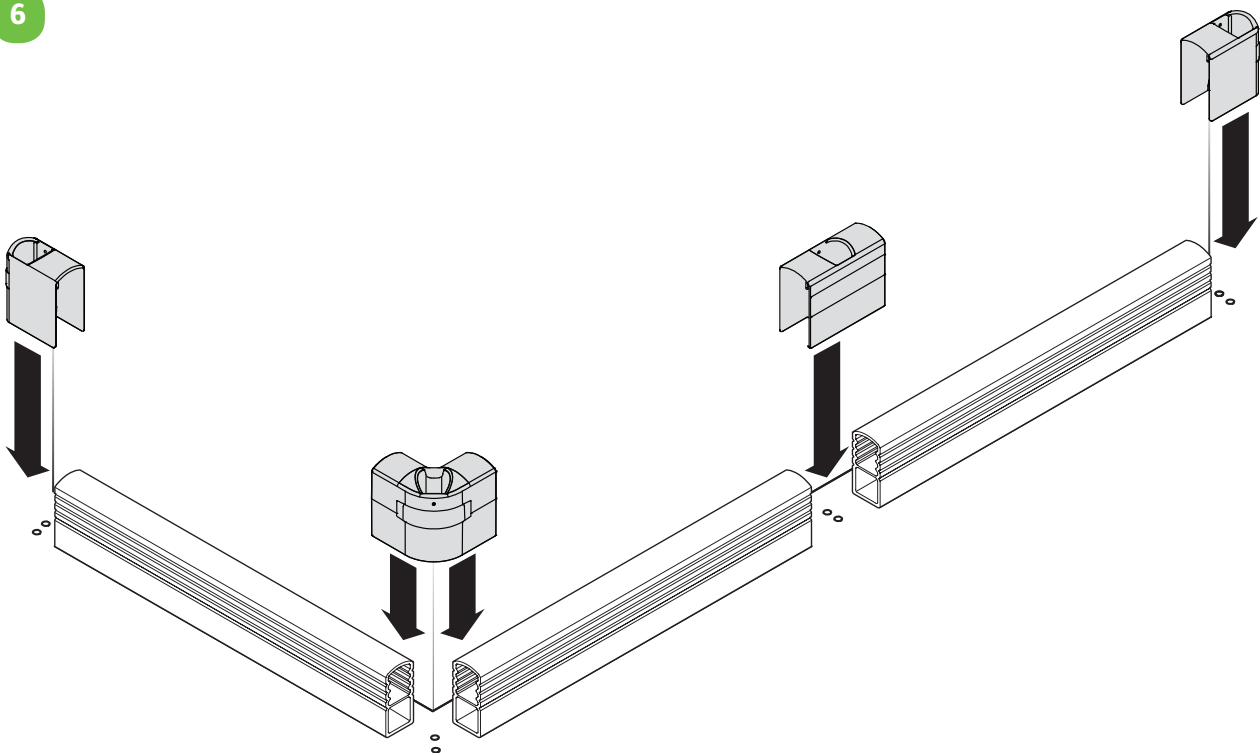


# Crash Barrier Assembly instructions

5

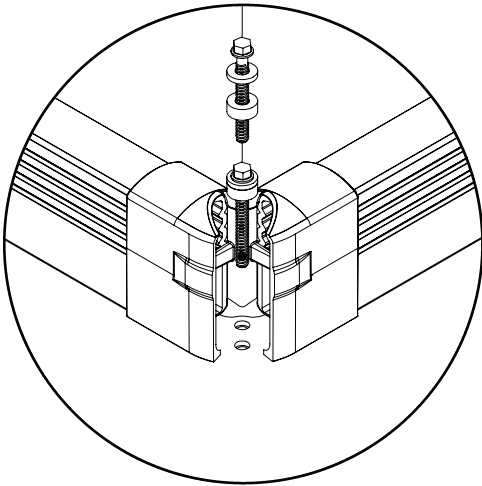


6

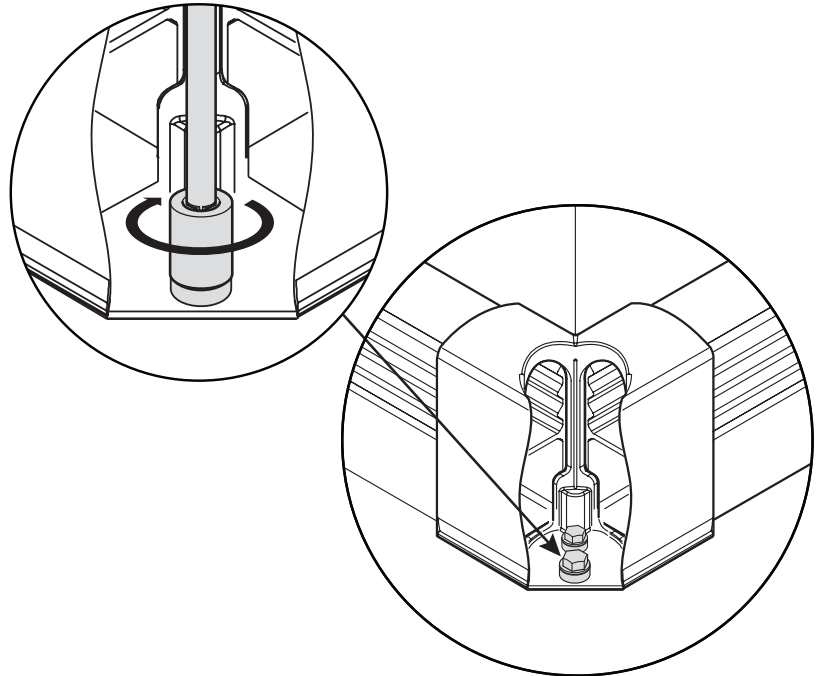


# Crash Barrier Assembly instructions

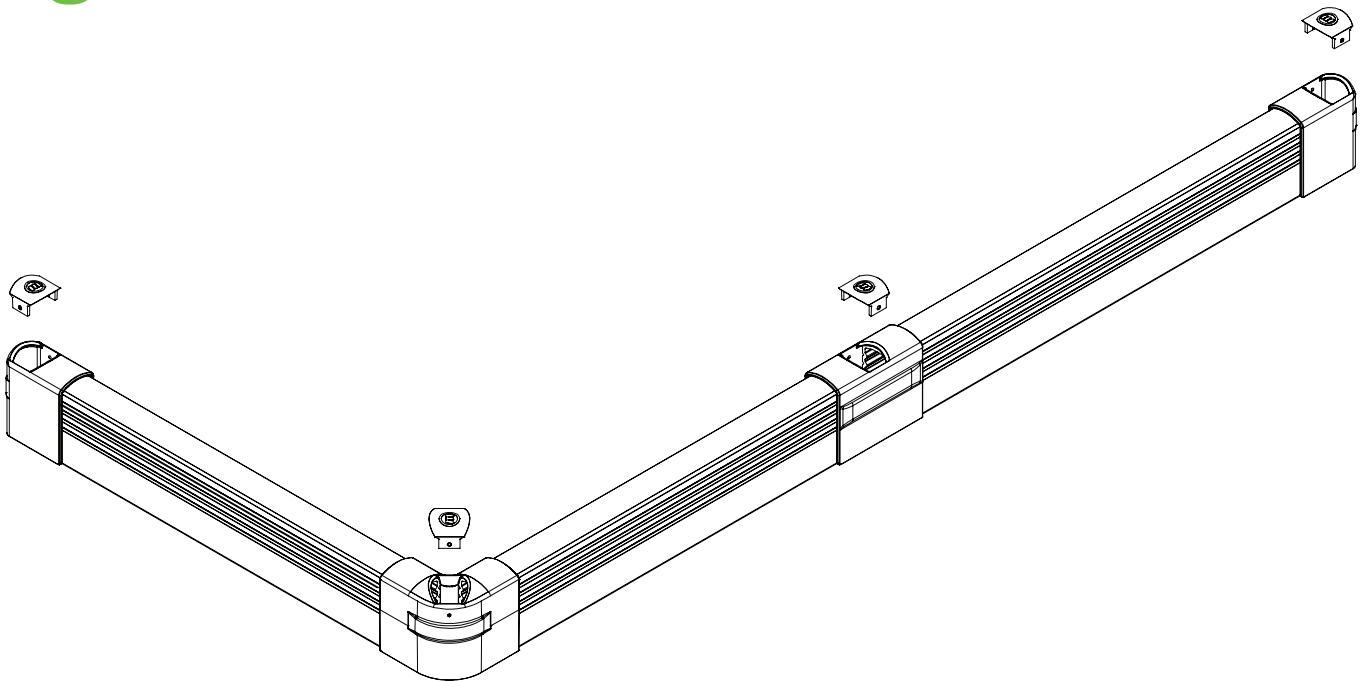
7



8



9



# Crash Barrier Assembly instructions

---

10

