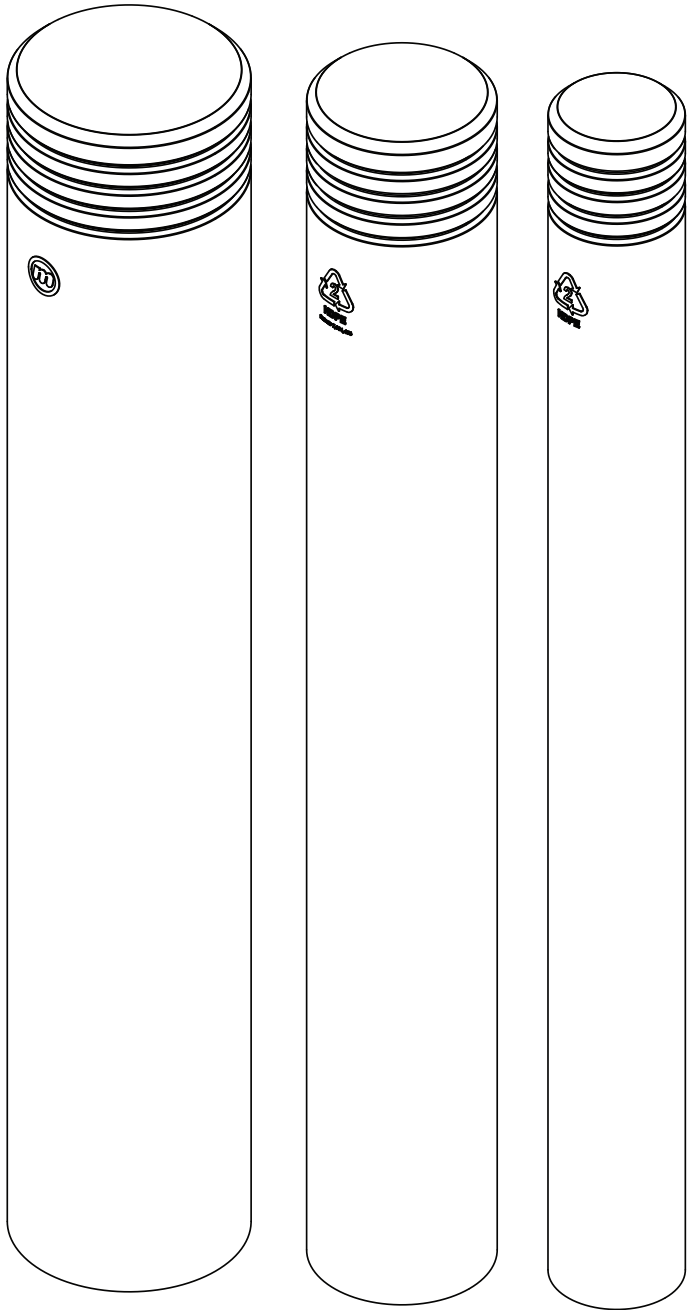


FlexCore Bollard Assembly instructions

» Concrete Anchor installation

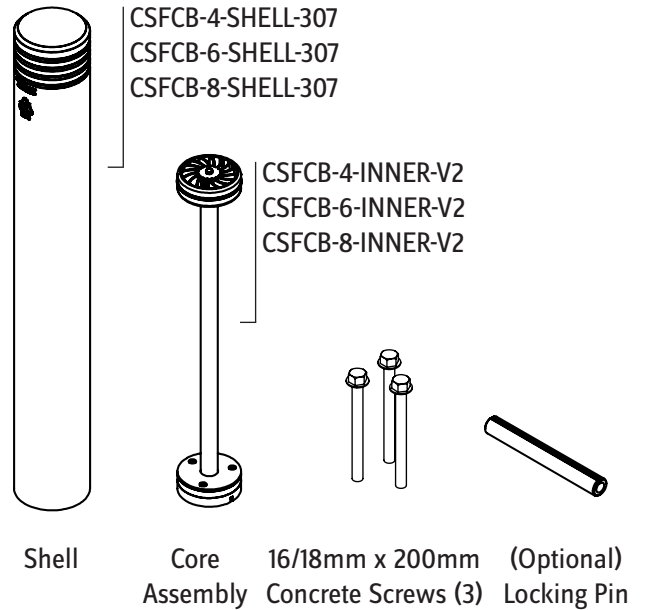


FlexCore
HEAVY DUTY
M011-137-023
(233x1372mm)

FlexCore
MEDIUM
M011-137-018
(182x1372mm)

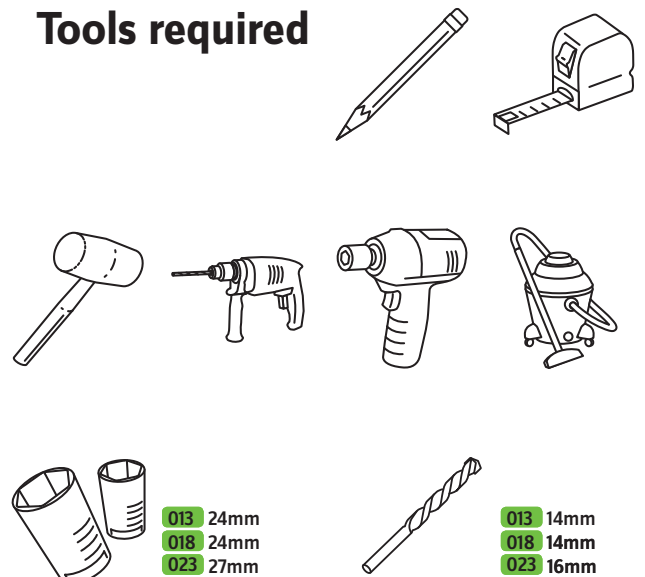
FlexCore
LIGHT
M011-137-013
(131x1372mm)

Components



*Some components included within "M" bundles.

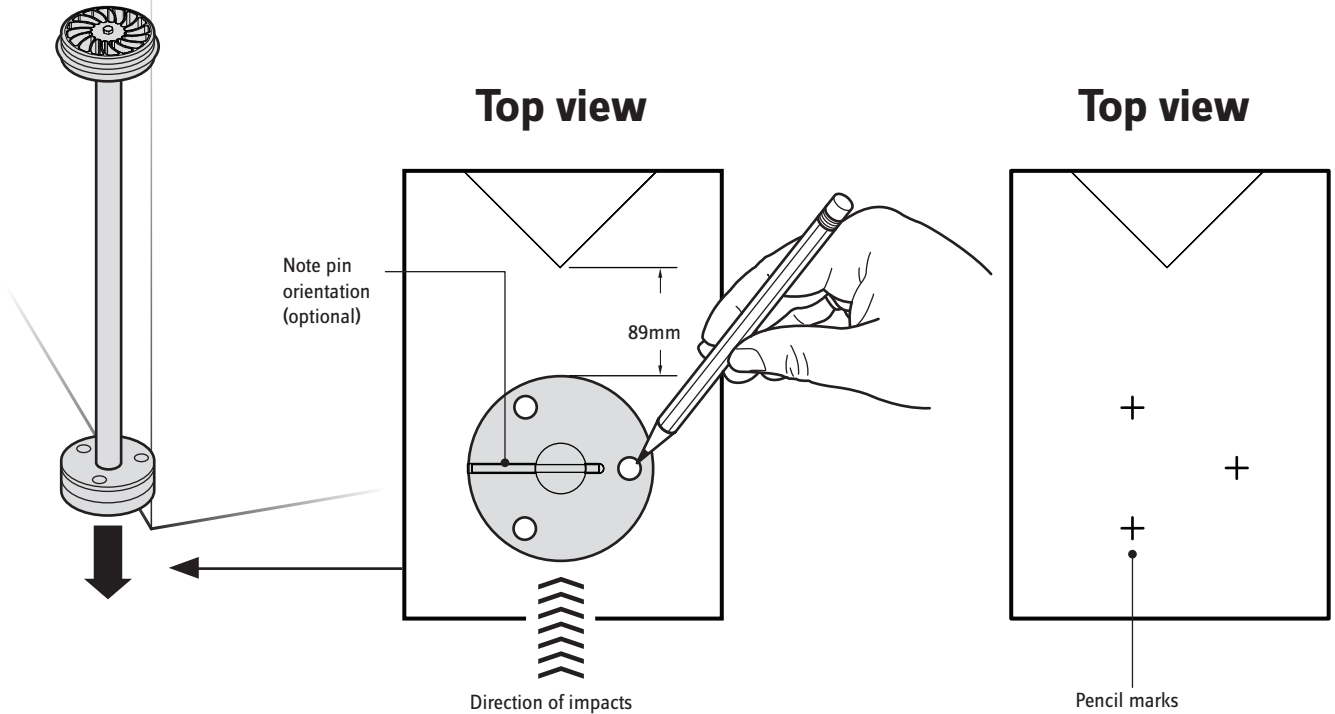
Tools required



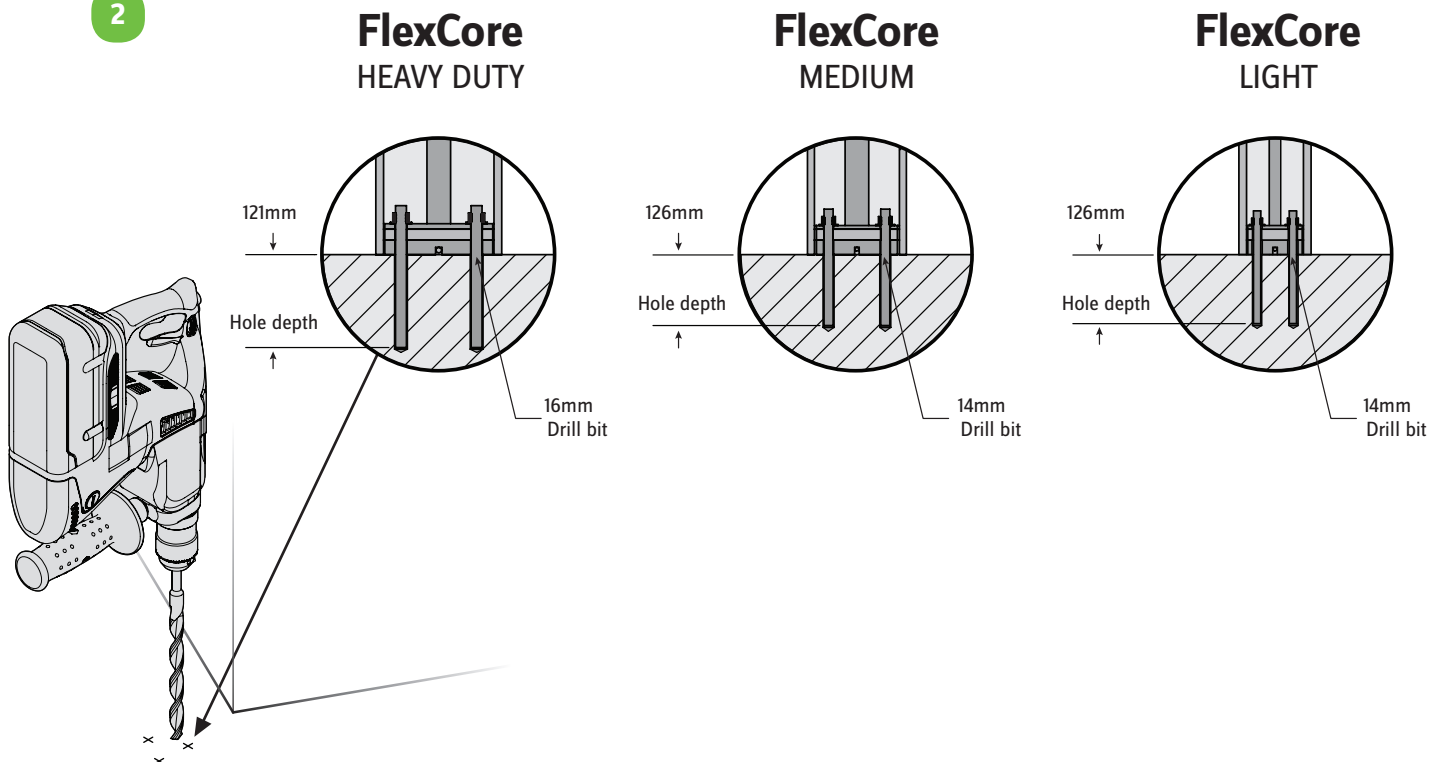
FlexCore Bollard Assembly instructions

» Concrete Anchor installation

1



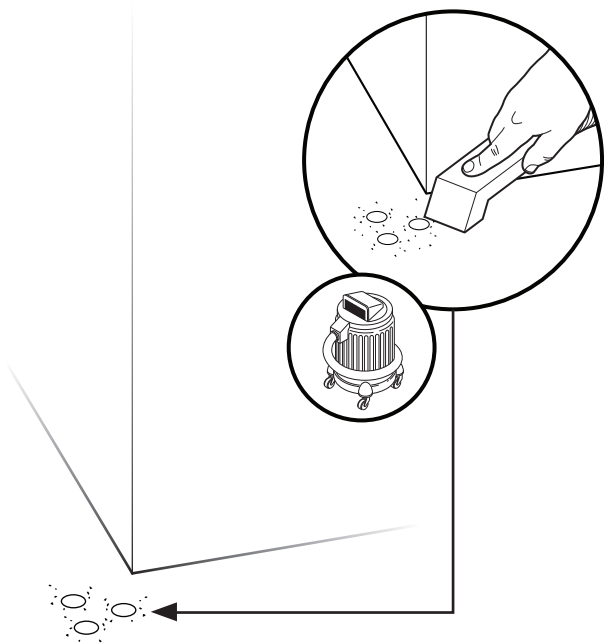
2



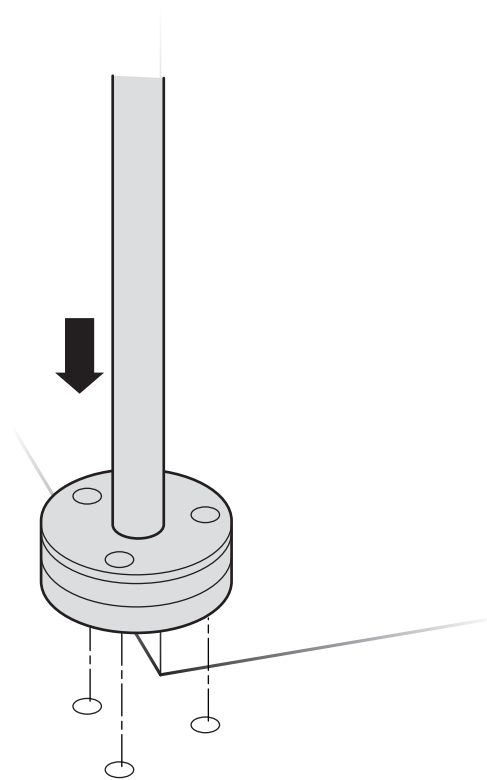
FlexCore Bollard Assembly instructions

» Concrete Anchor installation

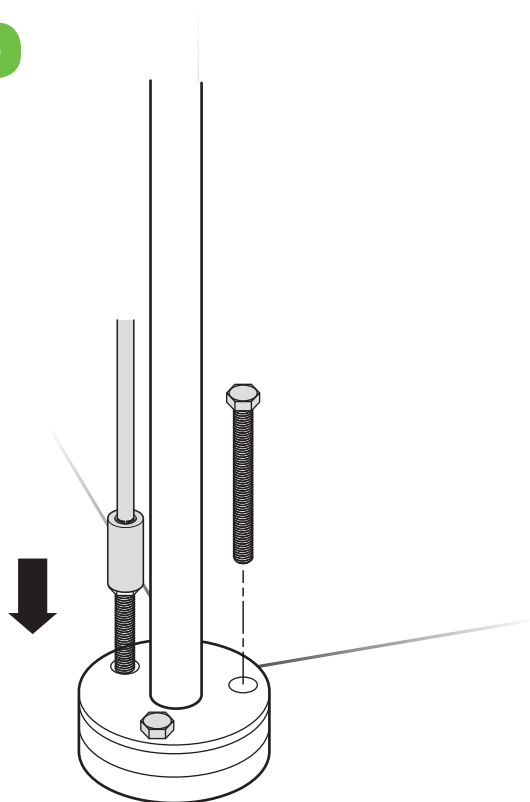
3



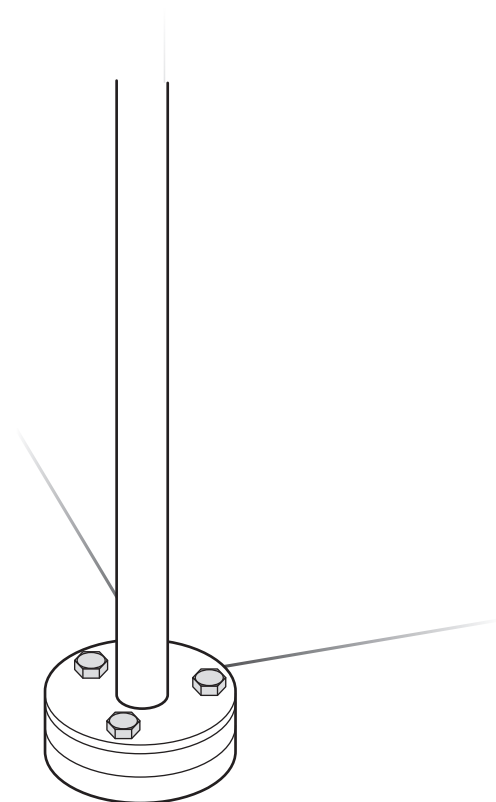
4



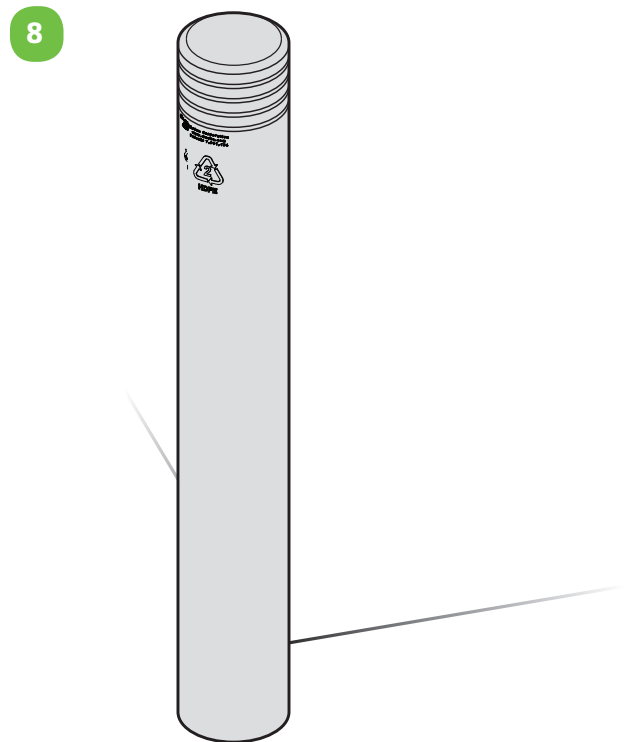
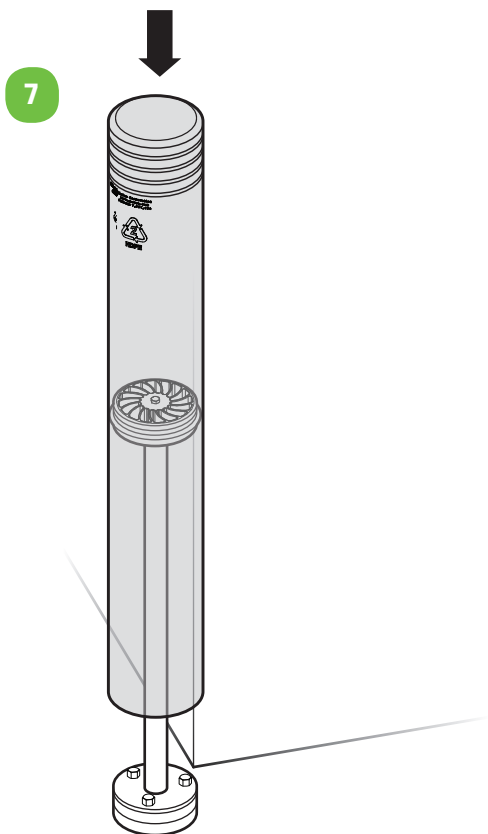
5



6



FlexCore Bollard Assembly instructions



9 **Optional pin**

